



Engine

Model	J08ETM-KSDQ
Type	Direct injection, water-cooled, 4-cycle, 6-cylinder diesel engine with intercooler turbo-charger
No. of cylinders	6
Bore and stroke	112 mm x 130 mm
Displacement	7.684 L
Rated power output	173 kW/2,100 min ⁻¹ (ISO 9249)
	185 kW/2,100 min ⁻¹ (ISO 14396)
Max. torque	966 N•m/1,600 min ⁻¹ (ISO 9249)
	998 N•m/1,600 min ⁻¹ (ISO 14396)



Hydraulic System

Pump	
Type	Two variable displacement pumps + One gear pump
Max. discharge flow	2 x 245 L/min, 1 x 21 L/min
	Extra gear pump 1 x 43 L/min
Relief valve setting	
Boom, arm and bucket	34.3 MPa {350 kgf/cm ² }
Power Boost	37.8 MPa {385 kgf/cm ² }
Travel circuit	34.3 MPa {350 kgf/cm ² }
Swing circuit	29.0 MPa {296 kgf/cm ² }
Control circuit	5.0 MPa {50 kgf/cm ² }
Pilot control pump	Gear type
Main control valves	8-spool
Oil cooler	Air cooled type



Swing System

Swing motor	Axial-piston motor
Brake	Hydraulic; locking automatically when the swing control lever is in neutral position
Parking brake	Oil disc brake, hydraulic operated automatically
Swing speed	10.3 min ⁻¹ {rpm}
Tail swing radius	3,300 mm
Min. front swing radius	4,430 mm



Attachments

Backhoe bucket and arm combination

Type	Backhoe bucket			
	Normal digging			
Bucket capacity	Heaped (ISO7451)	m ³	1.00	1.40
	Struck (ISO7451)	m ³	0.74	0.96
Opening width	With side cutters	mm	1,350	1,680
	Without side cutters	mm	1,250	1,580
No. of teeth			4	5
Bucket weight		kg	970	1,140
Combinations	2.40 m short arm		○	○
	3.10 m standard arm		○	○
	4.00m long arm		○	×

◎ Standard ○ Recommend △ Loading only × Not recommended



Travel System

Travel motors	2 x axial-piston, two-step motors
Travel brakes	Hydraulic brake per motor
Parking brakes	Oil disc brake per motor
Travel shoes	50 each side
Travel speed	5.2/3.1 km/h
Drawbar pulling force	280 kN (ISO 7464)
Gradeability	70 % {35°}



Cab & Control

Cab
All-weather, sound-suppressed steel cab mounted on the high suspension mounts filled with silicone oil and equipped with a heavy, insulated floor mat.
Control
Two hand levers and two foot pedals for travel
Two hand levers for excavating and swing
Electric rotary-type engine throttle



Boom, Arm & Bucket

Boom cylinders	140 mm x 1,305 mm
Arm cylinder	150 mm x 1,675 mm
Bucket cylinder	130 mm x 1,208 mm



Refilling Capacities & Lubrications

Fuel tank	503 L
Cooling system	35 L
Engine oil	28.5 L
Travel reduction gear	2 x 8.0 L
Swing reduction gear	7.0 L
Hydraulic oil tank	245 L tank oil level
	410 L hydraulic system



Working Ranges

Unit: m

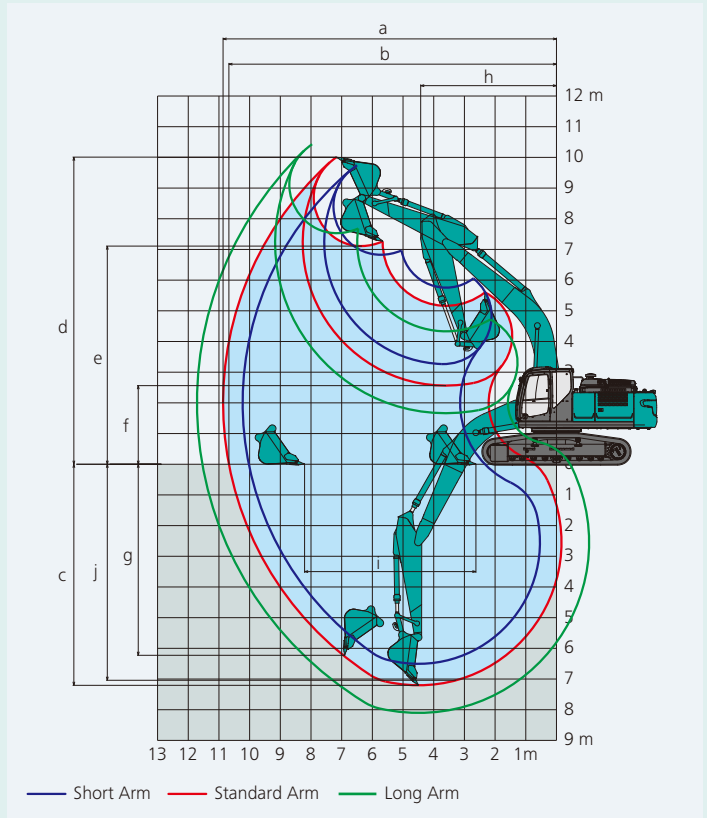
Boom		6.20m		
Arm		Short 2.4 m	Standard 3.1 m	Long 4.0 m
Range				
a- Max. digging reach		10.23	10.87	11.72
b- Max. digging reach at ground level		10.03	10.68	11.54
c- Max. digging depth		6.50	7.20	8.1
d- Max. digging height		9.74	10.01	10.43
e- Max. dumping clearance		6.83	7.11	7.53
f- Min. dumping clearance		3.26	2.56	1.66
g- Max. vertical wall digging depth		5.65	6.23	7.08
h- Min. swing radius		4.4	4.43	4.55
i- Horizontal digging stroke at ground level		4.0	5.58	7.1
j- Digging depth for 2.4 m (8') flat bottom		6.31	7.04	7.97
Bucket capacity ISO heaped m ³		1.4	1.2	1.2

Digging Force (ISO 6015)

Unit: kN

Arm length	Short 2.4 m	Standard 3.1 m	Long 4.0 m
Bucket digging force	188 208*	188 208*	188 208*
Arm crowding force	158 174*	126 139*	105 115*

*Power Boost engaged.



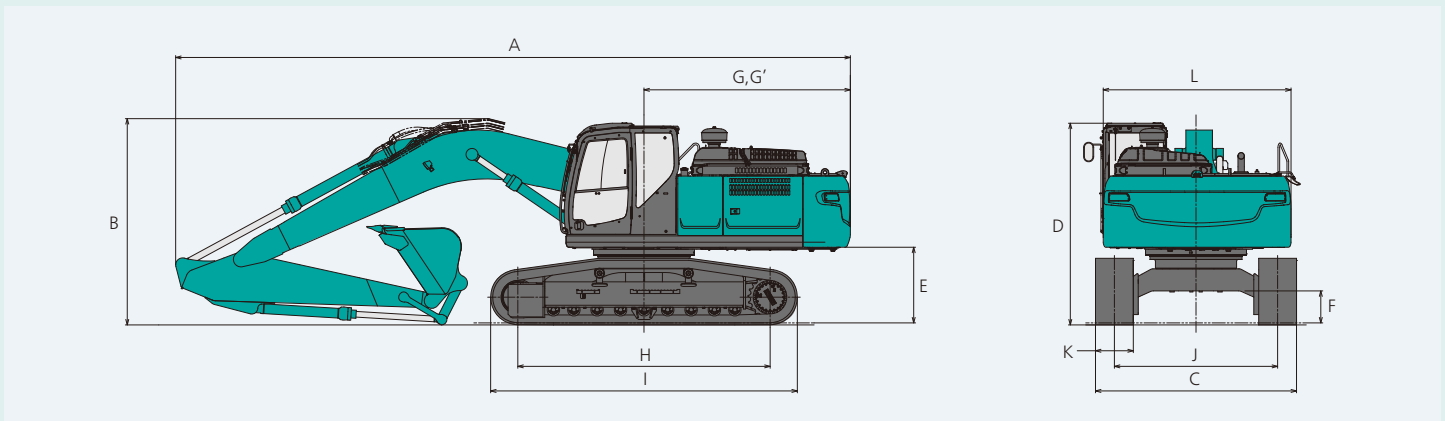
Dimensions

Arm length	Short 2.4 m	Standard 3.1 m	Long 4.0 m
A Overall length	10,830	10,710	10,770
B Overall height (to top of boom)	3,500	3,270	3,480
C Overall width	3,190		
D Overall height (to top of cab)	3,200		
E Ground clearance of rear end*	1,200		
F Ground clearance*	510		

Unit: mm

G Tail swing radius	3,300
G' Distance from center of swing to rear end	3,270
H Tumbler distance	4,000
I Overall length of crawler	4,870
J Track gauge	2,590
K Shoe width	600
L Overall width of upperstructure	2,980

*Without including height of shoe

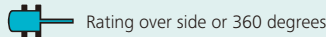
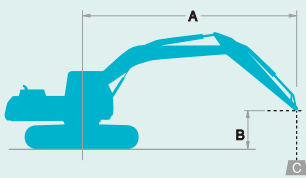


Operating Weight & Ground Pressure

In standard trim, with standard boom, 3.1 m arm, and 1.2 m³ ISO heaped bucket

Type	Triple grouser shoes (even height)			
Shoe width	mm	600	700	800
Overall width	mm	3,190	3,290	3,390
Ground pressure	kPa (kgf/cm ²)	58 (0.59)	51 (0.52)	45 (0.46)
Operating weight	kg	30,500	31,100	31,500

Lifting Capacities



A: Reach from swing centerline to arm top
 B: Arm top height above/below ground
 C: Lifting capacities in Kilograms
 Bucket: Without bucket
 Relief valve setting: 37.8 MPa (385 kgf/cm²)

SK300LC		Boom: 6.2 m Arm: 3.1 m, Bucket: without Shoe: 600 mm (Heavy Lift)															
B \ A		1.5 m		3.0 m		4.5 m		6.0 m		7.5 m		9.0 m		At Max. Reach		Radius	
		Rating over front	Rating over side or 360 degrees	Rating over front	Rating over side or 360 degrees	Rating over front	Rating over side or 360 degrees	Rating over front	Rating over side or 360 degrees	Rating over front	Rating over side or 360 degrees	Rating over front	Rating over side or 360 degrees	Rating over front	Rating over side or 360 degrees		
7.5 m	kg														*4,270	*4,270	7.45 m
6.0 m	kg									*6,320	5,880				*4,050	*4,050	8.37 m
4.5 m	kg							*7,490	*7,490	*6,810	5,700				*4,010	*4,010	8.95 m
3.0 m	kg					*12,160	11,480	*8,980	7,570	*7,570	5,450	*6,280	4,110	*4,110	3,930	9.24 m	
1.5 m	kg					*14,770	10,630	*10,410	7,120	*8,370	5,220	6,400	4,000	*4,350	3,820	9.28 m	
G.L.	kg					*16,020	10,260	*11,410	6,840	8,210	5,040	*5,680	3,930	*4,780	3,890	9.06 m	
-1.5 m	kg			*11,640	*11,640	*16,200	10,190	11,340	6,720	8,130	4,970				*5,530	4,180	8.57 m
-3.0 m	kg	*13,600	*13,600	*18,290	*18,290	*15,500	10,300	11,390	6,760	8,200	5,030				*6,950	4,830	7.76 m
-4.5 m	kg			*19,200	*19,200	*13,640	10,610	*10,030	7,000						*8,870	6,320	6.50 m

SK300LC		Boom: 6.2 m Arm: 4.0 m, Bucket: without Shoe: 600 mm (Heavy Lift)															
B \ A		1.5 m		3.0 m		4.5 m		6.0 m		7.5 m		9.0 m		At Max. Reach		Radius	
		Rating over front	Rating over side or 360 degrees	Rating over front	Rating over side or 360 degrees	Rating over front	Rating over side or 360 degrees	Rating over front	Rating over side or 360 degrees	Rating over front	Rating over side or 360 degrees	Rating over front	Rating over side or 360 degrees	Rating over front	Rating over side or 360 degrees		
9.0 m	kg														*3,330	*3,330	7.26 m
7.5 m	kg														*3,010	*3,010	8.49 m
6.0 m	kg									*5,200	*5,200	*4,280	*4,280	*2,870	*2,870	9.31 m	
4.5 m	kg									*5,780	5,730	*5,660	4,200	*2,840	*2,840	9.83 m	
3.0 m	kg			*16,330	*16,330	*9,890	*9,890	*7,670	7,660	*6,620	5,440	*6,090	4,050	*2,890	*2,890	10.10 m	
1.5 m	kg					*12,920	10,770	*9,270	7,110	*7,540	5,140	6,300	3,890	*3,040	*3,040	10.13 m	
G.L.	kg			*7,330	*7,330	*14,900	10,110	*10,550	6,710	8,080	4,900	6,160	3,760	*3,300	3,250	9.93 m	
-1.5 m	kg	*7,060	*7,060	*10,600	*10,600	*15,760	9,840	11,110	6,480	7,920	4,750	6,090	3,690	*3,740	3,440	9.49 m	
-3.0 m	kg	*10,760	*10,760	*14,990	*14,990	*15,690	9,840	11,050	6,430	7,890	4,720			*4,490	3,860	8.77 m	
-4.5 m	kg	*15,180	*15,180	*21,180	20,300	*14,650	10,040	*10,830	6,550	8,050	4,870			*6,010	4,730	7.68 m	
-6.0 m	kg			*17,250	*17,250	*11,980	10,500	*8,330	6,960					*8,270	6,930	6.02 m	

SK300LC		Boom: 6.2 m Arm: 2.4 m, Bucket: without Shoe: 600 mm (Heavy Lift)											
B \ A		3.0 m		4.5 m		6.0 m		7.5 m		At Max. Reach		Radius	
		Rating over front	Rating over side or 360 degrees	Rating over front	Rating over side or 360 degrees	Rating over front	Rating over side or 360 degrees	Rating over front	Rating over side or 360 degrees	Rating over front	Rating over side or 360 degrees		
7.5 m	kg					*7,060	*7,060				*7,330	7,120	6.63 m
6.0 m	kg					*7,370	*7,370	*7,270	5,790	*7,240	5,570	7.66 m	
4.5 m	kg			*10,620	*10,620	*8,450	7,940	*7,560	5,660	*7,150	4,810	8.28 m	
3.0 m	kg					*9,860	7,490	*8,220	5,450	7,010	4,440	8.60 m	
1.5 m	kg					*11,110	7,120	8,440	5,260	6,860	4,320	8.64 m	
G.L.	kg			*16,430	10,370	11,540	6,910	8,300	5,140	7,070	4,430	8.41 m	
-1.5 m	kg	*11,310	*11,310	*16,080	10,410	11,490	6,870	8,290	5,130	7,760	4,830	7.88 m	
-3.0 m	kg	*20,420	*20,420	*14,910	10,600	*11,230	6,990			*9,210	5,760	6.98 m	
-4.5 m	kg			*12,180	11,010					*9,470	8,220	5.53 m	

Notes:

- Do not attempt to lift or hold any load that is greater than these lift capacities at their specified lift point radius and heights. Weight of all accessories must be deducted from the above lift capacities.
- Lift capacities are based on machine standing on level, firm, and uniform ground. User must make allowance for job conditions such as soft or uneven ground, out of level conditions, side loads, sudden stopping of loads, hazardous conditions, experience of personnel, etc.
- Arm top defined as lift point.
- The above lifting capacities are in compliance with ISO 10567. They do not exceed 87% of hydraulic lifting capacity or 75% of tipping load. Lifting capacities marked with an asterisk (*) are limited by hydraulic capacity rather than tipping load.
- Operator should be fully acquainted with the Operator's and Maintenance Instructions before operating this machine. Rules for safe operation of equipment should be adhered to at all times.
- Lift capacities apply to only machine as originally manufactured and normally equipped by KOBELCO CONSTRUCTION MACHINERY CO., LTD.

STANDARD EQUIPMENT

ENGINE

- Engine, HINO J08ETM-KSDQ, diesel engine with turbocharger and intercooler
- Automatic engine deceleration
- Auto Idle Stop (AIS)
- Batteries (2 x 12V - 96Ah)
- Starting motor (24V - 5 kW), 60 amp alternator
- Automatic engine shut-down for low engine oil pressure
- Engine oil pan drain cock
- Double element air cleaner

CONTROL

- Working mode selector (H-mode, S-mode and ECO-mode)
- Power Boost
- Heavy lift

SWING SYSTEM & TRAVEL SYSTEM

- Swing rebound prevention system
- Straight propel system
- Two-speed travel with automatic shift down
- Sealed & lubricated track links
- Grease-type track adjusters
- Automatic swing brake

HYDRAULIC

- Arm regeneration system
- Auto warm up system
- Aluminum hydraulic oil cooler
- Hydraulic fluid filter clog detector
- Hydraulic pressure adjustment function for N&B piping
- Quick hitch piping

MIRRORS & LIGHTS

- Two rear view mirrors
- Three front working lights (2 for boom, one for right storage box)
- Rear view camera

CAB & CONTROL

- Two control levers, pilot-operated
- Tow eyes
- Horn, electric
- Cab light (interior)
- Luggage tray
- Large cup holder
- Detachable two-piece floor mat
- Headrest
- Handrails
- Intermittent windshield wiper with double-spray washer
- Skylight
- Tinted safety glass
- Pull-up type front window and removable lower front window
- Easy-to-read multi-display color monitor
- Automatic air conditioner
- Emergency escape hammer
- Suspension seat
- Radio, AM/FM stereo with speaker
- TOP guard
- Boom & Arm safety valve
- Geoscan
- Travel alarm
- Lower Under Cover

OPTIONAL EQUIPMENT

- Various optional arms
- Wide range of shoes
- Additional track guide
- Extra hydraulic circuit
- Two cab lights
- Rain visor (may interfere with bucket action)
- Refueling pump
- Cab guard
- Air suspension seat
- Right side camera

Note: Standard and optional equipment may vary. Consult your KOBELCO dealer for specifics.